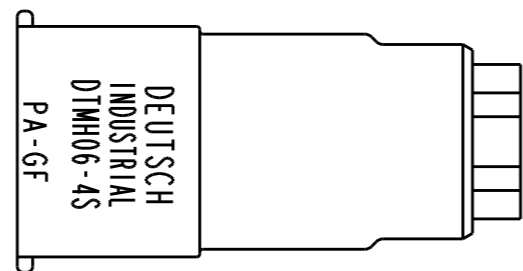
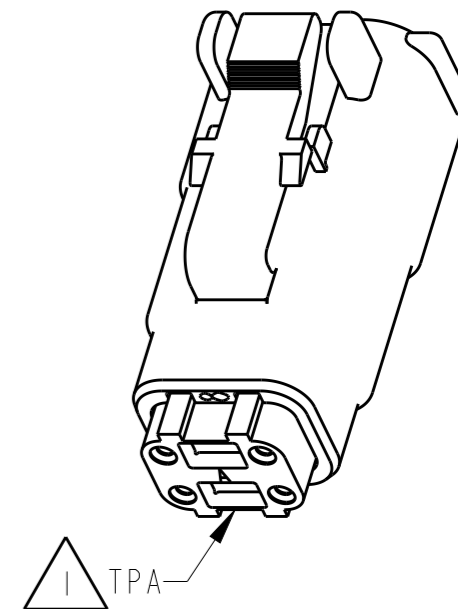
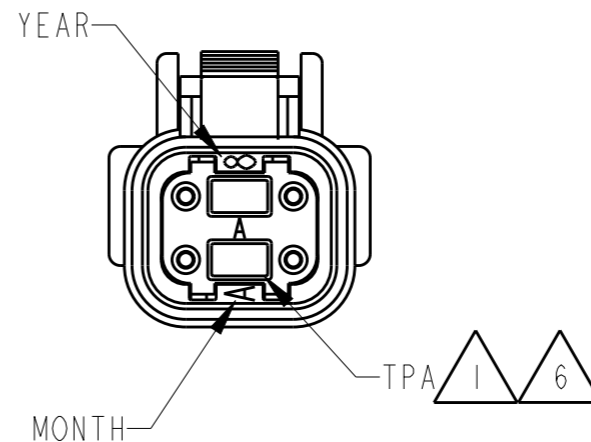
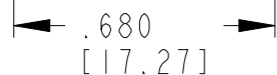
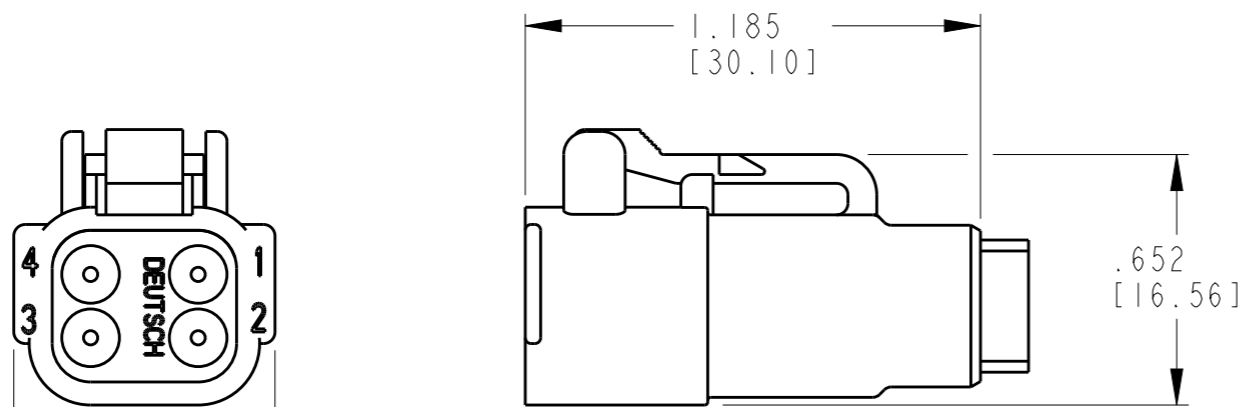
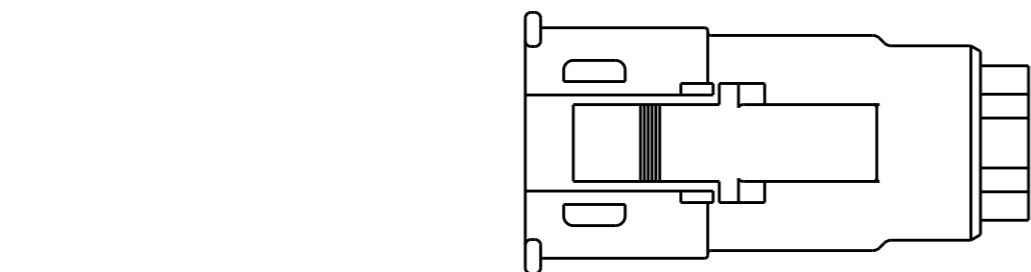


THIS DRAWING IS UNPUBLISHED. RELEASED FOR PUBLICATION 20
 © COPYRIGHT 20 BY - ALL RIGHTS RESERVED.

| LOC | DIST | REVISIONS | | | |
|-----|------|-------------|-----------------------------|---------|--------|
| P | LTR | DESCRIPTION | DATE | DWN | APVD |
| - | - | NC | NEW RELEASE PER E.O. PI9775 | 5-16-08 | DW RDR |
| | | A | CHANGED PER E.O. PI9993 | 9-9-08 | DW SB |
| | | B | REVISED PER ECO-13-009529 | 5-17-13 | JA RM |



| CONTACT SIZE | MIN. INSUL. O.D. | MAX. INSUL. O.D. | WIRE RANGE [mm ²] REF ONLY |
|--------------|------------------|------------------|--|
| 20 | .053 [1.35] | .120 [3.05] | 16-20 AWG [1.0-0.2] |

- △ 6 SEE SHEET 2 FOR OTHER KEY ARRANGEMENTS.
- 5. PLUG IS RATED AT 150°C.
- △ 4 MATERIAL - HOUSING: PLASTIC; GROMMET: RUBBER
- 3. THIS PLUG MATES WITH DTMH04-4P* AND DTM04-4P* RECEPTACLE. (* = A,B,C,D KEYS).
- △ 2 FOR CONTACT AND WIRE PERFORMANCE AND APPLICATION CHARACTERISTICS SEE ENVELOPE DRAWING 0425-015-0000.
- △ 1 TERMINAL POSITION ASSURANCE (TPA) LOCK PRE-MOUNTED: WMH-4S* (* = A,B,C,D KEYS)

NOTES: UNLESS OTHERWISE SPECIFIED

| | | | | | |
|--|--|---------------------------------|--|---|--|
| THIS DRAWING IS A CONTROLLED DOCUMENT. | | DWN 5-17-13 JAIME C. APOSTOL | | | |
| DIMENSIONS: mm [INCHES] | | CHK 5-17-13 ROBERT MILLIGAN | | | |
| TOLERANCES UNLESS OTHERWISE SPECIFIED: | | APVD 5-17-13 ROBERT MILLIGAN | | NAME PLUG, 4 PIN CONTACT SIZE 20, COLOR: BLACK DTMH SERIES | |
| 0 PLC ± 1 PLC ± 2 PLC ± 3 PLC ±0.025 [0.64] 4 PLC ± ANGLES ±0°30'0" | | PRODUCT SPEC - | | SIZE A3 | |
| MATERIAL △ 4 | | APPLICATION SPEC - | | CAGE CODE 4AFU8 | |
| FINISH - | | WEIGHT 5.86g | | DRAWING NO DTMH06-4SX | |
| | | Customer Drawing | | RESTRICTED TO - | |
| | | SCALE 2:1 | | SHEET 1 OF 2 | |
| | | | | REV B | |

4

3

2

1

THIS DRAWING IS UNPUBLISHED.

RELEASED FOR PUBLICATION

20

© COPYRIGHT 20 BY -

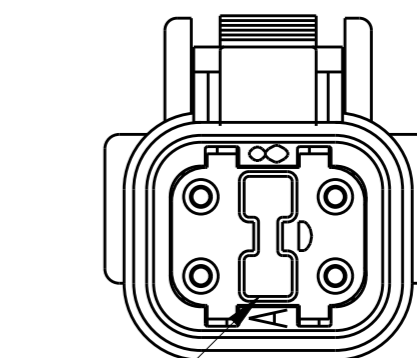
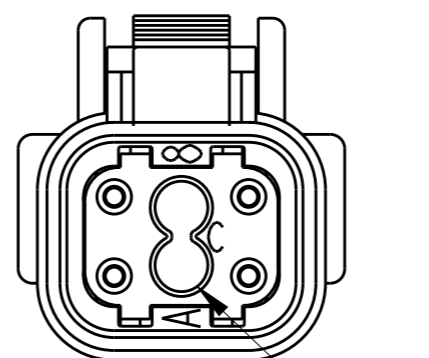
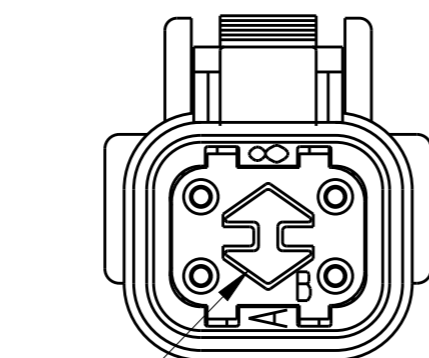
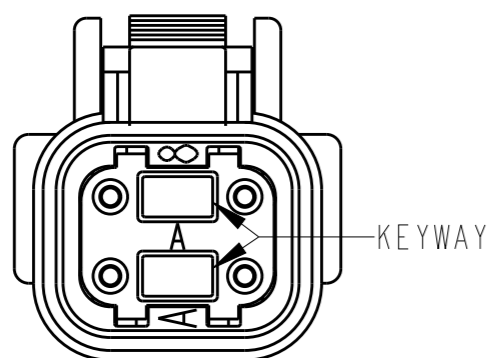
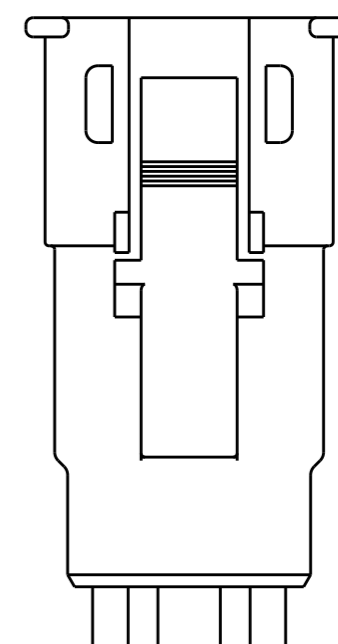
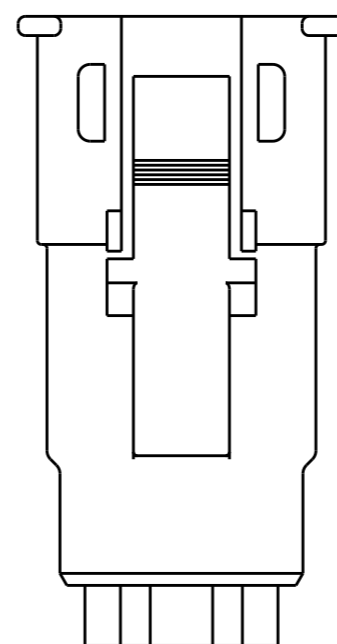
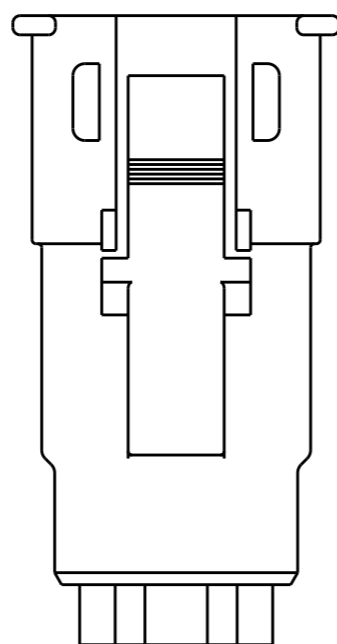
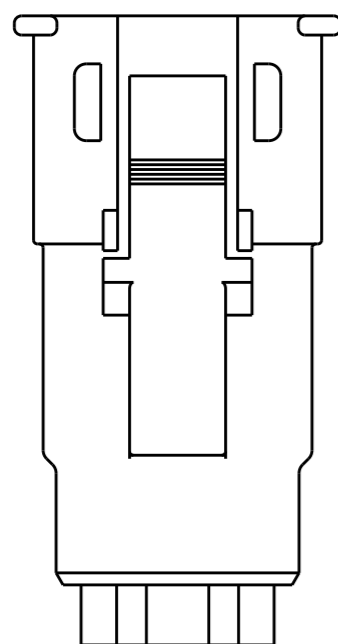
ALL RIGHTS RESERVED.

LOC -

DIST -

REVISIONS

| P | LTR | DESCRIPTION | DATE | DWN | APVD |
|---|-----|-------------|---------|-----|------|
| | B | SEE SHEET 1 | 5-17-13 | JA | RM |
| | | | | | |
| | | | | | |



DTMH06-4SA

-A- KEY
TPA COLOR: GREY

DTMH06-4SB

-B- KEY
TPA COLOR: BLACK

DTMH06-4SC

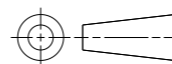
-C- KEY
TPA COLOR: GREEN

DTMH06-4SD

-D- KEY
TPA COLOR: BROWN

THIS DRAWING IS A CONTROLLED DOCUMENT.

DIMENSIONS:
mm [INCHES]



TOLERANCES UNLESS OTHERWISE SPECIFIED:

| | |
|--------|---------------|
| 0 PLC | ± |
| 1 PLC | ± |
| 2 PLC | ± |
| 3 PLC | ±0.025 [0.64] |
| 4 PLC | ± |
| ANGLES | ±0°30'0" |

MATERIAL



FINISH

-

DWN 5-17-13

CHK JAIME C. APOSTOL

5-17-13

APVD ROBERT MILLIGAN

5-17-13

ROBERT MILLIGAN

PRODUCT SPEC

-

APPLICATION SPEC

-

WEIGHT

5.86g



NAME
PLUG, 4 PIN CONTACT
SIZE 20, COLOR: BLACK
DTMH SERIES

SIZE CAGE CODE DRAWING NO RESTRICTED TO

A3 4AFU8 ©-DTMH06-4SX -

Customer Drawing SCALE 2:1 SHEET 2 OF 2 REV B